

"43PB-2D" PRO-BOWL COMPARTMENT SINKS

3 Compartment w/2 Drain Boards - 14GA w/Stainless Steel Base

FEATURES:

- Standard 14GA Type 300 Stainless Steel w/#4 Polish, Satin Finish
- 12" Or 14" Deep Bowls
- All Corners, Both Vertical & Horizontal, Coved At 5/8" Radius
- Bottoms Of Bowls Formed For Drainage To 3-1/2" Diameter Die Stamped Opening
- Full Length 10" High Boxed Backsplash, w/2" Return To Wall At 45 Degree & 3/4" Turned Down Rear Lip
- 8" On-Center, 1" Faucet Holes In Backsplash
- 1" Faucet Holes In Backsplash
- Solid Stainless Steel Front Panel, Type 300 Stainless Steel w/#4 Polish, Satin Finish
- All Outside Corners Of Assembly Are Bullnosed To Provide Safe, Clean, & Polished Edge



SPECIFICATIONS:

- Top: Stainless Steel Sinks Are Tig Welded, Exposed Welds Are Polished To Match Adjacent Surface
- Base: Stainless Steel Bases, Standard Knocked-Down
- Bowls & Top: 14GA Type 300 Stainless Steel w/#4 Polish, Satin Finish
- Legs: 1-5/8" Round O.D. Stainless Steel
- Bracing: 1-1/4" Round O.D. Stainless Steel
- Gussets: Stainless Steel
- Feet: 1" Adjustable Stainless Steel Bullet Feet

CERTIFICATIONS:



"43PB-2D" PRO-BOWL COMPARTMENT SINKS

12" DEEP (D')	WT. (LBS)	14" DEEP (D')	WT. (LBS)	OVERALL LENGTH (L)	OVERALL WIDTH (W)	INSIDE LENGTH (L')	INSIDE WIDTH (W')	A	B	C
43PB1618-2D18	139	43PB16184-2D18	149	87-1/4"	23-1/2"	16"	18"	11-15/16"	39-5/8"	18"
43PB1618-2D24	149	43PB16184-2D24	159	99-1/4"	23-1/2"	16"	18"	11-15/16"	45-5/8"	24"
43PB1620-2D18	146	43PB16204-2D18	156	87-1/4"	25-1/2"	16"	20"	12-15/16"	39-5/8"	18"
43PB1620-2D24	156	43PB16204-2D24	167	99-1/4"	25-1/2"	16"	20"	12-15/16"	45-5/8"	24"
43PB1620-2D30	167	43PB16204-2D30	177	111-1/4"	25-1/2"	16"	20"	12-15/16"	51-5/8"	30"
43PB18-2D18	148	43PB184-2D18	158	93-1/4"	23-1/2"	18"	18"	11-15/16"	42-5/8"	18"
43PB18-2D24	157	43PB184-2D24	168	105-1/4"	23-1/2"	18"	18"	11-15/16"	48-5/8"	24"
43PB18-2D30	167	43PB184-2D30	177	117-1/4"	23-1/2"	18"	18"	11-15/16"	54-5/8"	30"
43PB1824-2D18	169	43PB18244-2D18	181	93-1/4"	29-1/2"	18"	24"	14-15/16"	42-5/8"	18"
43PB1824-2D24	180	43PB18244-2D24	192	105-1/4"	29-1/2"	18"	24"	14-15/16"	48-5/8"	24"
43PB1824-2D30	192	43PB18244-2D30	203	117-1/4"	29-1/2"	18"	24"	14-15/16"	54-5/8"	30"
43PB20-2D18	168	43PB204-2D18	178	99-1/4"	25-1/2"	20"	20"	12-15/16"	45-5/8"	18"
43PB20-2D24	178	43PB204-2D24	188	111-1/4"	25-1/2"	20"	20"	12-15/16"	51-1/8"	24"
43PB20-2D30	188	43PB204-2D30	198	123-1/4"	25-1/2"	20"	20"	12-15/16"	57-1/8"	30"
43PB24-2D24	208	43PB244-2D24	222	123-1/4"	29-1/2"	24"	24"	14-15/16"	45-5/8"	24"
43PB24-2D30	219	43PB244-2D30	233	135-1/4"	29-1/2"	24"	24"	14-15/16"	51-5/8"	30"
43PB3024-2D30	246	43PB30244-2D30	262	153-1/4"	29-1/2"	30"	24"	14-15/16"	57-5/8"	30"
43PB3024-2D36	258	43PB30244-2D36	273	165-1/4"	29-1/2"	30"	24"	14-15/16"	63-5/8"	36"

ALL DIMENSIONS ARE TYPICAL. TOLERANCE +/- .500". JOHN BOOS & CO. RESERVES THE RIGHT TO CHANGE SPECIFICATIONS WITHOUT NOTICE.

ACCESSORIES

MODEL

End Splashes, R, L, Or Both

Faucets

Add-A-Faucets

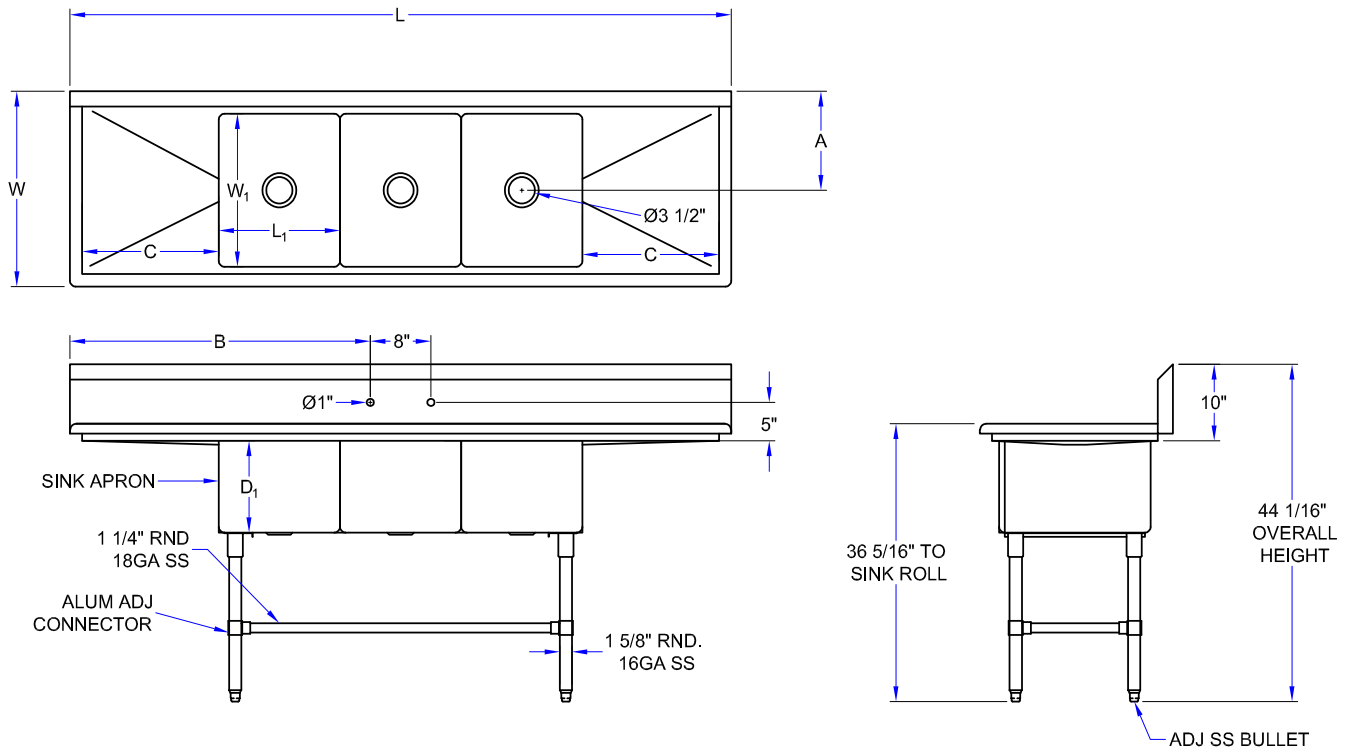
Pre-Rinse Units

Lever Waste

Overshelves

Pot Rack

DETAILED SPECIFICATIONS



"43PB-2D" PRO-BOWL COMPARTMENT SINKS

12" DEEP (D')	WT. (LBS)	14" DEEP (D')	WT. (LBS)	OVERALL LENGTH (L)	OVERALL WIDTH (W)	INSIDE LENGTH (L')	INSIDE WIDTH (W')	A	B	C
43PB1618-2D18	139	43PB16184-2D18	149	87-1/4"	23-1/2"	16"	18"	11-15/16"	39-5/8"	18"
43PB1618-2D24	149	43PB16184-2D24	159	99-1/4"	23-1/2"	16"	18"	11-15/16"	45-5/8"	24"
43PB1620-2D18	146	43PB16204-2D18	156	87-1/4"	25-1/2"	16"	20"	12-15/16"	39-5/8"	18"
43PB1620-2D24	156	43PB16204-2D24	167	99-1/4"	25-1/2"	16"	20"	12-15/16"	45-5/8"	24"
43PB1620-2D30	167	43PB16204-2D30	177	111-1/4"	25-1/2"	16"	20"	12-15/16"	51-5/8"	30"
43PB18-2D18	148	43PB184-2D18	158	93-1/4"	23-1/2"	18"	18"	11-15/16"	42-5/8"	18"
43PB18-2D24	157	43PB184-2D24	168	105-1/4"	23-1/2"	18"	18"	11-15/16"	48-5/8"	24"
43PB18-2D30	167	43PB184-2D30	177	117-1/4"	23-1/2"	18"	18"	11-15/16"	54-5/8"	30"
43PB1824-2D18	169	43PB18244-2D18	181	93-1/4"	29-1/2"	18"	24"	14-15/16"	42-5/8"	18"
43PB1824-2D24	180	43PB18244-2D24	192	105-1/4"	29-1/2"	18"	24"	14-15/16"	48-5/8"	24"
43PB1824-2D30	192	43PB18244-2D30	203	117-1/4"	29-1/2"	18"	24"	14-15/16"	54-5/8"	30"
43PB20-2D18	168	43PB204-2D18	178	99-1/4"	25-1/2"	20"	20"	12-15/16"	45-5/8"	18"
43PB20-2D24	178	43PB204-2D24	188	111-1/4"	25-1/2"	20"	20"	12-15/16"	51-1/8"	24"
43PB20-2D30	188	43PB204-2D30	198	123-1/4"	25-1/2"	20"	20"	12-15/16"	57-1/8"	30"
43PB24-2D24	208	43PB244-2D24	222	123-1/4"	29-1/2"	24"	24"	14-15/16"	45-5/8"	24"
43PB24-2D30	219	43PB244-2D30	233	135-1/4"	29-1/2"	24"	24"	14-15/16"	51-5/8"	30"
43PB3024-2D30	246	43PB30244-2D30	262	153-1/4"	29-1/2"	30"	24"	14-15/16"	57-5/8"	30"
43PB3024-2D36	258	43PB30244-2D36	273	165-1/4"	29-1/2"	30"	24"	14-15/16"	63-5/8"	36"

ALL DIMENSIONS ARE TYPICAL. TOLERANCE +/- .500". JOHN BOOS & CO. RESERVES THE RIGHT TO CHANGE SPECIFICATIONS WITHOUT NOTICE.