

"4PB-1D" PRO-BOWL COMPARTMENT SINKS

4 Compartment w/1 Drain Board - 16GA w/Stainless Steel Base

FEATURES:

- Standard 16GA Type 300 Stainless Steel w/#4 Polish, Satin Finish
- 12" Or 14" Deep Bowls
- All Corners, Both Vertical & Horizontal, Coved At 5/8" Radius
- Bottoms Of Bowls Formed For Drainage To 3-1/2" Diameter Die Stamped Opening
- Full Length 10" High Boxed Backsplash, w/2" Return To Wall At 45 Degree & 3/4" Turned Down Rear Lip
- 2 Sets Of Faucet Holes 8" On-Center
- 1" Faucet Holes In Backsplash
- Solid Stainless Steel Front Panel, Type 300 Stainless Steel w/#4 Polish, Satin Finish
- All Outside Corners Of Assembly Are Bullnosed To Provide Safe, Clean, & Polished Edge

SPECIFICATIONS:

- Top: Stainless Steel Sinks Are Tig Welded, Exposed Welds Are Polished To Match Adjacent Surface
- Base: Stainless Steel Bases, Standard Knocked-Down
- Bowls & Top: 16GA Type 300 Stainless Steel w/#4 Polish, Satin Finish
- Legs: 1-5/8" Round O.D. Stainless Steel
- Bracing: 1-1/4" Round O.D. Stainless Steel
- Gussets: Stainless Steel
- Feet: 1" Adjustable Stainless Steel Bullet Feet

CERTIFICATIONS:



4PB1618-1D18L
(SPECIFY LEFT/RIGHT SIDE DRAIN BOARD)

ACCESSORIES

MODEL

End Splashes, R, L, Or Both

Faucets

Add-A-Faucets

Pre-Rinse Units

Lever Waste

Overshelves

Pot Rack

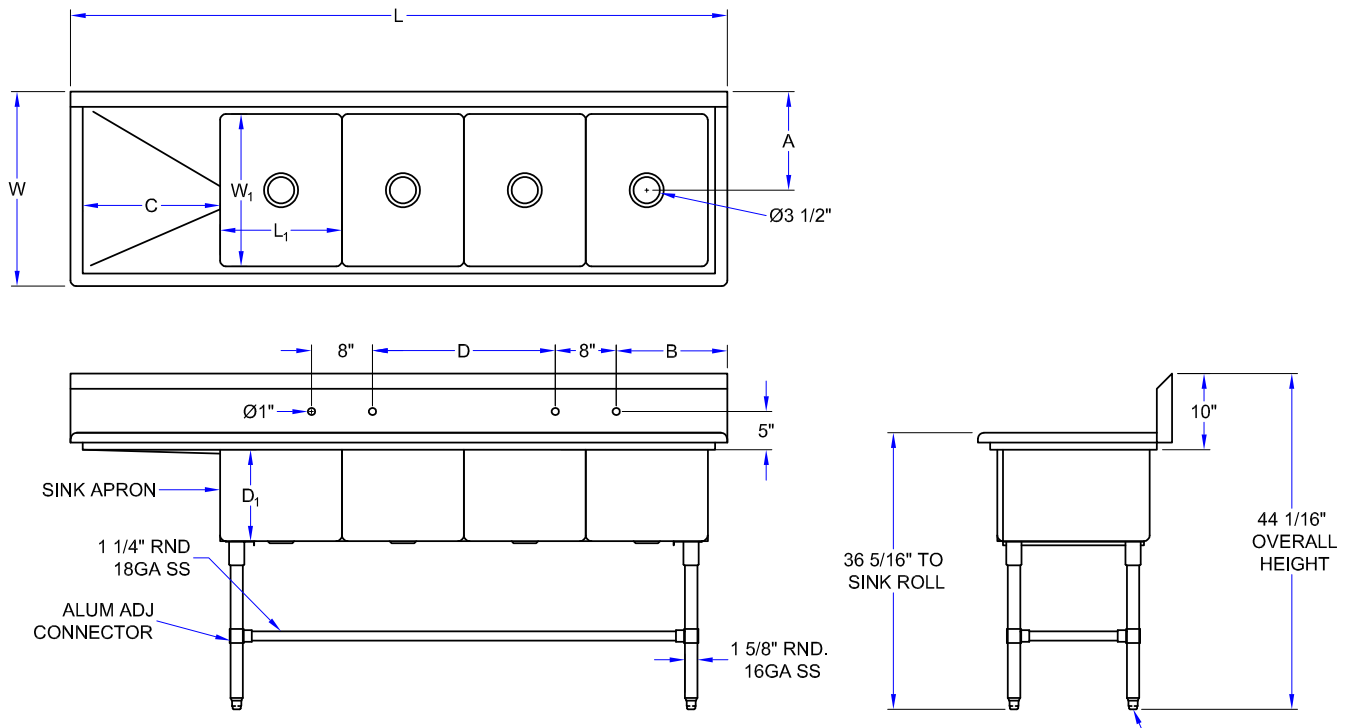
"4PB-1D" PRO-BOWL COMPARTMENT SINKS

12" DEEP (D')	WT. (LBS)	14" DEEP (D')	WT. (LBS)	OVERALL LENGTH (L)	OVERALL WIDTH (W)	INSIDE LENGTH (L')	INSIDE WIDTH (W')	A	B	C	D
4PB1618-1D18L/R	129	4PB16184-1D18L/R	140	86-3/16"	23-1/2"	16"	18"	11-15/16"	14-9/16"	18"	24"
4PB1618-1D24L/R	133	4PB16184-1D24L/R	144	92-3/16"	23-1/2"	16"	18"	11-15/16"	14-9/16"	24"	24"
4PB1620-1D18L/R	136	4PB16204-1D18L/R	147	86-3/16"	25-1/2"	16"	20"	12-15/16"	14-9/16"	18"	24"
4PB1620-1D24L/R	140	4PB16204-1D24L/R	151	92-3/16"	25-1/2"	16"	20"	12-15/16"	14-9/16"	24"	24"
4PB18-1D18L/R	139	4PB184-1D18L/R	150	94-3/16"	23-1/2"	18"	18"	11-15/16"	16-9/16"	18"	28"
4PB18-1D24L/R	142	4PB184-1D24L/R	154	100-3/16"	23-1/2"	18"	18"	11-15/16"	16-9/16"	24"	28"
4PB18-1D30L/R	146	4PB184-1D30L/R	158	106-3/16"	23-1/2"	18"	18"	11-15/16"	16-9/16"	30"	28"
4PB1824-1D18L/R	158	4PB18244-1D18L/R	171	94-3/16"	29-1/2"	18"	24"	14-15/16"	16-9/16"	18"	28"
4PB1824-1D24L/R	163	4PB18244-1D24L/R	176	100-3/16"	29-1/2"	18"	24"	14-15/16"	16-9/16"	24"	28"
4PB1824-1D30L/R	167	4PB18244-1D30L/R	180	106-3/16"	29-1/2"	18"	24"	14-15/16"	16-9/16"	30"	28"
4PB20-1D18L/R	159	4PB204-1D18L/R	170	102-3/16"	25-1/2"	20"	20"	12-15/16"	18-9/16"	18"	32"
4PB20-1D24L/R	163	4PB204-1D24L/R	174	108-3/16"	25-1/2"	20"	20"	12-15/16"	18-9/16"	24"	32"
4PB20-1D30L/R	167	4PB204-1D30L/R	178	114-3/16"	25-1/2"	20"	20"	12-15/16"	18-9/16"	30"	32"
4PB24-1D24L/R	193	4PB244-1D24L/R	208	124-3/16"	29-1/2"	24"	24"	14-15/16"	22-9/16"	24"	40"
4PB24-1D30L/R	197	4PB244-1D30L/R	212	130-3/16"	29-1/2"	24"	24"	14-15/16"	22-9/16"	30"	40"
4PB3024-1D30L/R	227	4PB30244-1D30L/R	244	154-3/16"	29-1/2"	30"	24"	14-15/16"	28-9/16"	30"	52"
4PB3024-1D36L/R	231	4PB30244-1D36L/R	249	160-3/16"	29-1/2"	30"	24"	14-15/16"	28-9/16"	36"	52"

MUST SPECIFY LEFT (L) OR RIGHT (R) SIDE DRAIN BOARD

ALL DIMENSIONS ARE TYPICAL. TOLERANCE +/- .500". JOHN BOOS & CO. RESERVES THE RIGHT TO CHANGE SPECIFICATIONS WITHOUT NOTICE.

DETAILED SPECIFICATIONS



"4PB-1D" PRO-BOWL COMPARTMENT SINKS

12" DEEP (D')	WT. (LBS)	14" DEEP (D')	WT. (LBS)	OVERALL LENGTH (L)	OVERALL WIDTH (W)	INSIDE LENGTH (L')	INSIDE WIDTH (W')	A	B	C	D
4PB1618-1D18L/R	129	4PB16184-1D18L/R	140	86-3/16"	23-1/2"	16"	18"	11-15/16"	14-9/16"	18"	24"
4PB1618-1D24L/R	133	4PB16184-1D24L/R	144	92-3/16"	23-1/2"	16"	18"	11-15/16"	14-9/16"	24"	24"
4PB1620-1D18L/R	136	4PB16204-1D18L/R	147	86-3/16"	25-1/2"	16"	20"	12-15/16"	14-9/16"	18"	24"
4PB1620-1D24L/R	140	4PB16204-1D24L/R	151	92-3/16"	25-1/2"	16"	20"	12-15/16"	14-9/16"	24"	24"
4PB18-1D18L/R	139	4PB184-1D18L/R	150	94-3/16"	23-1/2"	18"	18"	11-15/16"	16-9/16"	18"	28"
4PB18-1D24L/R	142	4PB184-1D24L/R	154	100-3/16"	23-1/2"	18"	18"	11-15/16"	16-9/16"	24"	28"
4PB18-1D30L/R	146	4PB184-1D30L/R	158	106-3/16"	23-1/2"	18"	18"	11-15/16"	16-9/16"	30"	28"
4PB1824-1D18L/R	158	4PB18244-1D18L/R	171	94-3/16"	29-1/2"	18"	24"	14-15/16"	16-9/16"	18"	28"
4PB1824-1D24L/R	163	4PB18244-1D24L/R	176	100-3/16"	29-1/2"	18"	24"	14-15/16"	16-9/16"	24"	28"
4PB1824-1D30L/R	167	4PB18244-1D30L/R	180	106-3/16"	29-1/2"	18"	24"	14-15/16"	16-9/16"	30"	28"
4PB20-1D18L/R	159	4PB204-1D18L/R	170	102-3/16"	25-1/2"	20"	20"	12-15/16"	18-9/16"	18"	32"
4PB20-1D24L/R	163	4PB204-1D24L/R	174	108-3/16"	25-1/2"	20"	20"	12-15/16"	18-9/16"	24"	32"
4PB20-1D30L/R	167	4PB204-1D30L/R	178	114-3/16"	25-1/2"	20"	20"	12-15/16"	18-9/16"	30"	32"
4PB24-1D24L/R	193	4PB244-1D24L/R	208	124-3/16"	29-1/2"	24"	24"	14-15/16"	22-9/16"	24"	40"
4PB24-1D30L/R	197	4PB244-1D30L/R	212	130-3/16"	29-1/2"	24"	24"	14-15/16"	22-9/16"	30"	40"
4PB3024-1D30L/R	227	4PB30244-1D30L/R	244	154-3/16"	29-1/2"	30"	24"	14-15/16"	28-9/16"	30"	52"
4PB3024-1D36L/R	231	4PB30244-1D36L/R	249	160-3/16"	29-1/2"	30"	24"	14-15/16"	28-9/16"	36"	52"

MUST SPECIFY LEFT (L) OR RIGHT (R) SIDE DRAIN BOARD

ALL DIMENSIONS ARE TYPICAL. TOLERANCE +/- .500". JOHN BOOS & CO. RESERVES THE RIGHT TO CHANGE SPECIFICATIONS WITHOUT NOTICE.