



PROJECT: \_\_\_\_\_  
 ITEM # \_\_\_\_\_ QTY: \_\_\_\_\_  
 MODEL # \_\_\_\_\_  
 AIA # \_\_\_\_\_ SIS # \_\_\_\_\_

PEARL ICE MAKER

# PEARL ICE MAKER

## GEMU09090



### Features and Benefits

- Fan favorite soft, chewable Pearl nugget-style ice.
- Cools beverages faster and longer while maintaining flavors better.
- Decreased water and power usage compared to cube ice makers.
- Load monitoring system constantly checks workload on gearbox shutting down system before a problem develops and preventing costly repairs.
- Water sensor eliminates low or no water failures and operates in adverse water conditions.
- Rugged stainless-steel evaporator assembly ensures reliability.
- Maintenance-free, industrial-grade double roller bearings.
- Heavy-duty gearbox provides years of trouble-free service.
- Built-in, non-contact ice detection fail safe automatic shutoff.



ICE FORMS	
PEARL ICE	1/2 x 3/8 in.
	12.7 x 9.5 mm



BIN CHART									
Model #	B40	B42	B55	B700-30	B110	B1000-48	B1300-48	B1325-60	B1660-60
capacity	344 lbs (156 kg)	351 lbs (160 kg)	510 lbs (232 kg)	680 lbs (308 kg)	854 lbs (388 kg)	1,000 lbs (454 kg)	1,320 lbs (599 kg)	1,325 lbs (601 kg)	1,660 lbs (753 kg)
width	30 in (762 mm)	22 in (559 mm)	30 in (762 mm)	30 in (762 mm)	48 in (1,219 mm)	48 in (1,219 mm)	48 in (1,219 mm)	60 in (1,524 mm)	60 in (1,524 mm)
Kit for combining wider bins with smaller models	DNA	DNA	DNA	DNA	DNA	DNA	DNA	DNA	DNA

See Ice-O-Matic Price List for Adapter Kits to combine ice makers with most available ice/beverage dispensers.

### Warranty

- Ice Maker: **1 Year Parts and Labor - Residential or Commercial**
- 

### Options & Accessories

- KPMP - Pump Kit for GEMU09090

### Water Filter

- Manifold System gets replacement filter



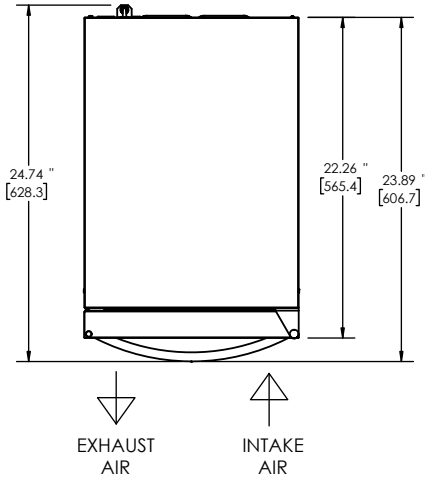
Ice-O-Matic

# PEARL ICE MAKER

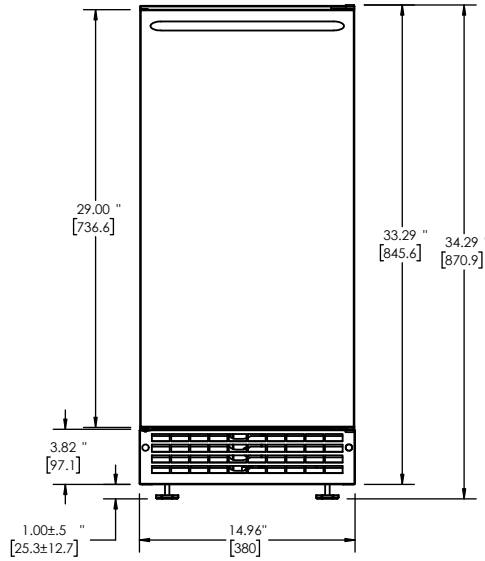
## GEMU09090

Line drawing note: Numbers with quote symbol " are in inches. Numbers enclosed in [brackets] are in millimeters.

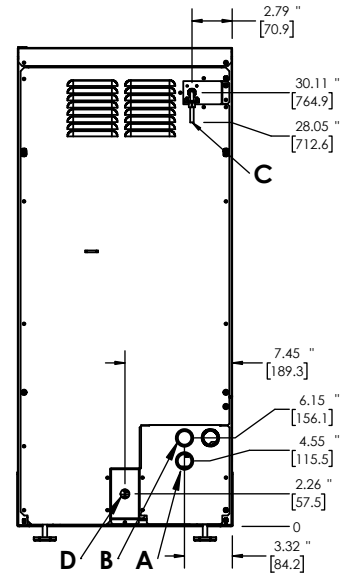
PLAN / TOP VIEW



ELEVATION / FRONT VIEW



UTILITIES / BACK VIEW



### Air Cooled

- A. Ice Maker Drain Access - Gravity, 5/8" ID Flexible Tubing
- B. Ice Maker Drain Access - Pump (Optional), 5/8" ID Flexible Tubing
- C. Ice Maker Potable Water Inlet, 1/4" Copper Tube With Compression Fitting
- D. Electrical Connection, Power Cord

SPECIFICATIONS	
Model	GEMU09090
Condensing Type	Air
Voltage/Hertz/Phase	115/60/1
Min. Circuit Amp	N/A A
Max Breaker Size	15 A
KWH per 100 lbs of ice at 70°F air / 50°F water	4.2
KWH per 100 lbs of ice at 90°F air / 70°F water	6.4
BTU (approx per hour)	1500
Number of Wires	Standard Plug included
Refrigerant	R290A
Refrigeration Charge	85 g
<b>Ice Production per 24 hrs</b>	
70° air / 50° water lbs (kg)	90° air / 70° water lbs (kg)
110 (50)	72 (33)
<b>Water Usage gallons per 100 lbs of ice 90°F air / 70°F water</b>	
Potable	Condenser
12	N/A

OPERATING REQUIREMENTS		
	MINIMUM	MAXIMUM
Ambient Temp. Range Air	50°F (10°C)	100°F (38°C)
Water Temp	40°F (4°C)	100°F (38°C)
Water Pressure	20 PSIG (1.4 BAR)	80 PSIG (5.5 BAR)

DIMENSIONS		
Unit Width	15 in.	378 mm
Unit Depth	24 in.	600 mm
Unit Height	34 in.	848 mm
Shipping Weight	114 lbs / 52 kg	
Shipping Dimensions (in.)	27(W) x 17(D) x 36 (H)	
Shipping Dimensions (mm)	685.8 (W) x 431.8 (D) x 914.4 (H)	

