

Project Name:	Location:	AIA #:
Item #:	Qty:	Model #:
		SIS #:

### G SERIES - STAINLESS STEEL EXTERIOR & INTERIOR



RIGHT-HINGED MODEL  
G13010M

LEFT-HINGED MODEL  
G13011M

### SPECIFICATIONS

DIMENSIONAL DATA	
Capacity cu. ft.	23.57 (667 L)
Length in.	29-7/8 (75.9 cm)
Depth in.	32 (83.3 cm)
Overall Height in. <sup>2</sup>	83-7/16 (211.9 cm)
ELECTRICAL DATA	
Horsepower <sup>1</sup>	1/2
Amps	6.8
Voltage	115/60/1
NEMA	5-15P
REFRIGERATION DATA	
Refrigerant	R-290
Charge Amount oz.	3.5 (99 g)
BTU	2200

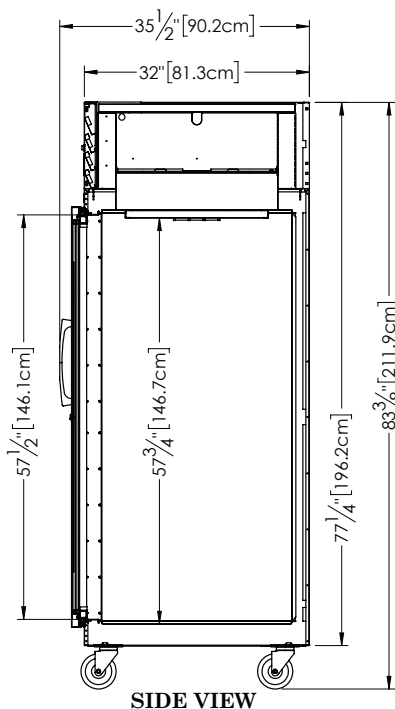
When ordering please specify:  
Voltage, Hinging, and Options



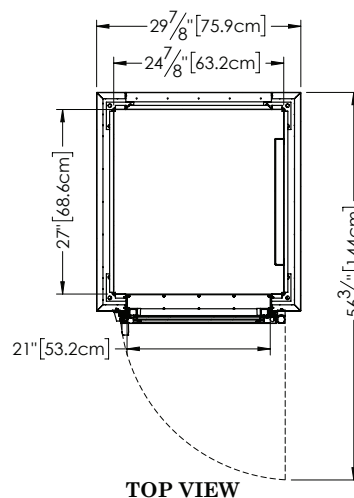
NEMA 5-15P

- Based on 90°F ambient & 20°F evaporator.
  - 12" top clearance preferred for optimum performance & service access.
- \*Depth does not include 3-1/2" for door & handle.  
†Overall height includes 6" (15.2 cm) for casters.  
‡For additional voltage options contact factory.

### PLAN VIEW



SIDE VIEW



TOP VIEW



Models listed to applicable UL, CSA, and NSF standards by an approved NRTL. Consult the factory or unit data plate for additional information.

Specifications subject to change without notice. Chart dimensions are rounded up to the nearest 1/16" (centimeters rounded up to the nearest tenth).



# G SERIES

## 1-SECTION GLASS DOOR LED MERCHANDISER FREEZER



Project Name:	Location:	AIA #:	
Item #:	Qty:	Model #:	SIS #:

### REFRIGERATION SYSTEM

- Self-contained, top-mounted system uses environmentally friendly, minimal GWP R-290 refrigerant
- High performance, balanced system operates at -5 to 0°F (-20 to -18°C) to maintain consistent, food-safe temperatures
- Can be adjusted to operate as low as -10°F (-23°C) in 90°F or less ambient
- Specialized, clock-wise airflow design
- Water-resistant microprocessor control with an LED display
- Easy to clean, front-facing condenser coil
- Thermostatic expansion valve metering device
- High humidity evaporator coil located outside the food zone; complete electro-deposition coating on coil

### CABINET CONSTRUCTION

- Stainless steel exterior and interior
- Exterior top, back, and bottom is constructed of heavy gauge galvanized steel
- Load-Sure™ guard facilitates proper product loading
- Cabinet is insulated with an average of 2" (5.1 cm) thick high density, non-CFC foamed-in-place polyurethane
- A set of (4) 6" (15.2 cm) high casters; (2) with brakes, (2) without brakes
- 9' cord & plug provided

### DOORS

- Patented, LED display door illuminates without adding heat to the cabinet interior
- Removable, plug cylinder locks
- Guaranteed for life cam-lift hinges
- Door(s) are self-closing with a stay-open feature
- Magnetic, snap-in EZ-Clean™ door gasket(s) are chemical-resistant
- Door hinges include a concealed switch that automatically activate interior LED lighting

### FACTORY-INSTALLED INTERIORS

- (3) adjustable, factory-installed coated wire shelves per section supported on shelf pins

### FIELD-INSTALLED INTERIOR/SUPPORT OPTIONS

- See trayslide versatility chart below
- Additional shelves
- Set of (4) 4-1/8" (10.5 cm) casters; (2) with brakes, (2) without brakes
- Set of (4) 6" (15.2 cm) adjustable legs
- Set of (4) 6" (15.2 cm) flanged legs

### WARRANTY

Both a six-year parts and labor warranty, and an additional one-year compressor parts warranty (for a total of seven years) are provided standard.

OPTIONAL ACCESSORY TRAYSLIDES						
TRAYSLIDE DRAWINGS						
TRAYSLIDE OFFERING	#1 (1) 18" x26" or (2) 14"x18"	#4 (Rod Type) (1) 18" x26"	Universal (1) 18" x26" or (2) 14"x18" or (2) 12"x20"	#1 EZ-Change (1) 18" x26" or (2) 14"x18"	Universal EZ-Change (1) 18" x26" or (2) 14"x18" or (2) 12"x20"	HD Universal EZ-Change (1) 18" x26" or (2) 14"x18" or (2) 12"x20"
SPACING CAPACITY DOOR SIZE	2" (28) Pairs Full Door 3" (19) Pairs Full Door 4" (14) Pairs Full Door 5" (11) Pairs Full Door	1-1/2" (38) Pairs Full Door	4" (14) Pairs Full Door 5" (11) Pairs Full Door 6" (9) Pairs Full Door	2" (26) Pairs Full Door 4" (13) Pairs Full Door	2-1/4" (22) Pairs Full Door 4-1/2" (11) Pairs Full Door	4-1/2" (11) Pairs Full Door 9" (5) Pairs Full Door

CAD and/or Revit Files Available

<https://traulsen.klclcad.com>

Approved by:	Approved by:	Date:
--------------	--------------	-------